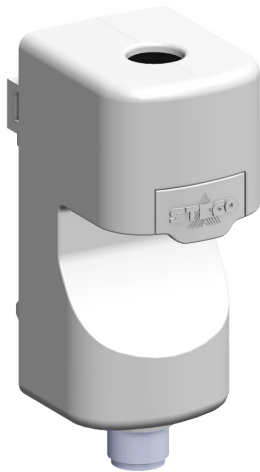


SMART SENSOR CURRENT

ESS 076 | DC 24 V, IO-LINK, 4-20 mA



- > Measures AC current up to 100 A contactless
- > Cable diameter up to 11.4 mm
- > Internal processing of measured values
- > Analog & digital interface in one device

The Smart Sensor Current ESS 076 measures the AC current of the conducted lines without contact. Acquired measurement data is output analog (4-20 mA signal) or digital (IO-Link). Measured and processed data - such as power and energy - are provided via the IO-Link interface to higher-level systems such as machine controllers or edge computers for condition monitoring. The ESS 076 is ideal for the permanent collection of load profiles from plants and machines. These help in applications such as peak load detection to achieve savings in energy costs.

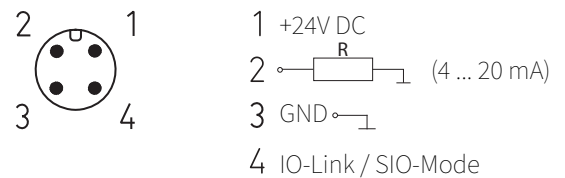
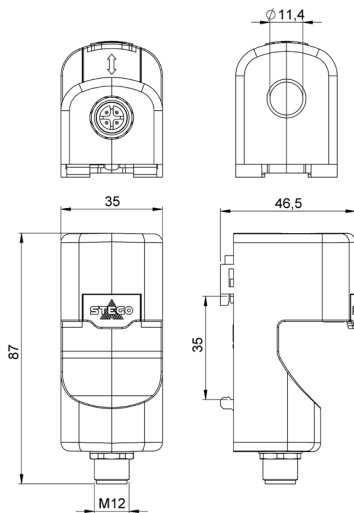


TECHNISCHE DATEN

Measuring signal 4 - 20 mA	Current
Measuring signal IO-Link	Current, event data, diagnostic data, device data, calculated energy and power
Loop resistor (external)	≤ 500 Ω (only for 4-20 mA)
Connection	Round plug connector M12, IEC 61076-2-101, 4-pin, A-coded
Electrical protection	Reverse-polarity, short circuit, overvoltage protection
Mounting	Clip for 35 mm DIN rail, EN 60715
Casing	plastic according to UL94 V-0, light grey
Dimensions	87 x 35 x 46,5 mm
Weight	~ 100 g
Fitting position	any
Storage temperature	-40 to +85 °C (-40 to +185 °F)
Operating/Storage humidity	< 90 % rF (non-condensing)
Protection type/Protection class	IP40 / III (extra-low voltage)
Approvals	IEC 61010-1/DIN EN 61010-1 DIN IEC 60381-2
Note	Conductor diameter < 11,4 mm, VDE and UL certification prepared

Accessories

- Screw mounting STEGOFIX PLUS SFP 095 Art. No. 09550.0-05
- Adhesive mounting STEGOFIX PLUS SFP 095 Art. No. 09550.1-05
- Magnetic fixing STEGOFIX PLUS SFP 095 Art. No. 09550.2-05



Art. No.	Interface	Operating voltage	Power consumption max.	Current measuring range	Operating temperature
07600.2-00	IO-Link (Version 1.1) and 4 - 20 mA	DC 24 V (DC 18-30 V)	1 W	AC 0 - 100 A (50/60 Hz) ±2 % ¹	-40 to +80 °C (-40 to +176 °F)

¹ Tolerance data measured at nominal voltage DC 24 V.