



STEGOFIX is a small aid specially designed to make mounting of smaller DIN rail mountable components easier. It can be used whenever the installation of a DIN rail is impractical, or when there is not enough space left in an enclosure.

Because of its industrial grade self-adhesive it can be installed much easier and quicker than a conventional DIN rail, without the effort of hole drilling and screw mounting. This is especially practical for subsequent changes or additions in an already equipped enclosure.

STEGOFIX can hold components up to 1.1 lbs in weight. Some of the many applications include the mounting of timing relays, series terminals, thermostats, cable channels and even small heaters. In addition, DIN rails can be mounted simply by using several STEGOFIX units.

If the weight of attached components exceeds the load limit, or if a more secure mounting is desired, (e.g. on rough surfaces), it can also be screw-mounted. All that is necessary to install STEGOFIX is a smooth and clean surface. The initial adhesive power is 40%, and after 24 hours, it has its full holding power of 1.1 lbs.



Technical Data

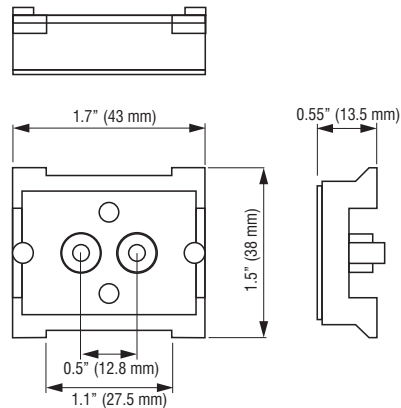
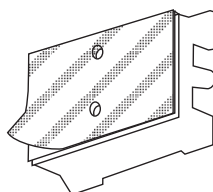
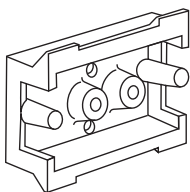
Load	1.1 lbs. (500g) after a 24 hour waiting period*
Mounting	self-adhesive (non-aging, high-performance adhesive strip)
Material	plastic UL 94V-0, black
Hole pattern	0.5" distance, Ø 0.14" (12.8mm; Ø 3.6mm)
Operating / Storage temperature	-49 to +158°F (-45 to 70°C)
Dimensions	1.7 x 1.5 x 0.55" (43 x 38 x 14mm)

*depending on the conditions of use (e.g. surface condition, size of the device to be mounted, etc.) higher loads can be achieved.

Installation

STEGOFIX can only be mounted on smooth surfaces, e.g. metals, lacquered surfaces and plastics (except polyethylene, polypropylene and rubber). The surfaces must be dry and free from dust, oil, separating agents and other contamination.

Application examples



Part No.	1 packing unit	Weight (approx.)
09510.0-01	5 pieces	2.1 oz. (60g) total / 0.42 oz. (12g) per piece

Specifications are subject to change without notice. Suitability of this product for its intended use and any associated risks must be determined by the end customer/ buyer in its final application.