



- Compact design**
- Fixed temperature setpoints**
- High switching capacity**
- DIN rail mountable**

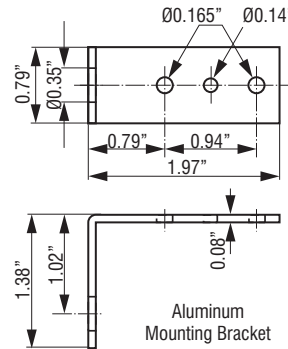
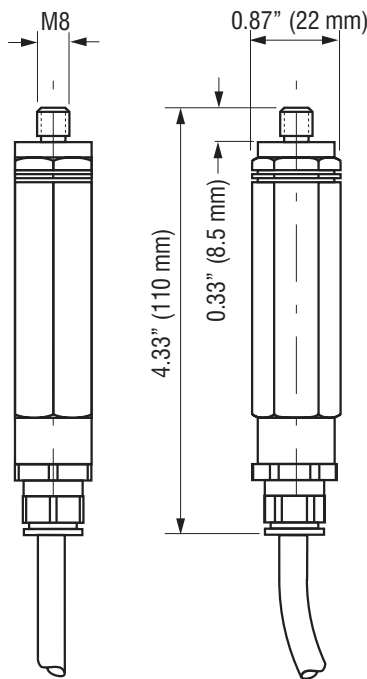
The design of the REx 011 thermostat ensures high accuracy, small switching difference (hysteresis) and a long service life.

Because of the high switching capacity of the thermostat, heaters can usually be directly connected and switched without the need for additional relays.



### Technical Data

<b>Explosion proof according to EN</b>	LCIE (Laboratoire Central des Industries Electriques)
<b>Conformity certificate</b>	01 ATEX 6074/02, LCIE N°06 ATEX Q8011, IECEx LCI 07. 0021
<b>Sensor element</b>	thermostatic bimetal
<b>Contact type</b>	NC - normally closed (opens on temperature rise)
<b>Service life</b>	> 100,000 cycles
<b>Max. switching capacity</b>	4A resistive / 1A inductive @ 250VAC
<b>Connection</b>	Si HF - JZ 3 x AWG 18 (0.75mm <sup>2</sup> ), length 3.3 ft (1m)
<b>Housing</b>	aluminum, black anodized
<b>Mounting</b>	mounting bracket with M8 nut and clip for 35mm DIN rail
<b>Mounting position</b>	variable
<b>Operating / Storage temperature</b>	-49 to +158°F (-45 to +70°C)
<b>Weight</b>	approx. 7 oz. (200g)
<b>Protection class</b>	I (grounded)
<b>Protection type</b>	IP65



Part No.	Ex protection type	Switch-off temperature	Switching difference
01180.0-00	Ex d IIC T6 - Ex tD A21 IP6X T85°C	59°F ± 7°F tolerance (15°C ± 4K tolerance)	7°F ± 2°F tolerance (4K ± 1K tolerance)
01181.0-00	Ex d IIC T6 - Ex tD A21 IP6X T85°C	77°F ± 7°F tolerance (25°C ± 4K tolerance)	7°F ± 2°F tolerance (4K ± 1K tolerance)

Specifications are subject to change without notice. Suitability of this product for its intended use and any associated risks must be determined by the end customer/ buyer in its final application.