



**Large convection surface**

**Maintenance free**

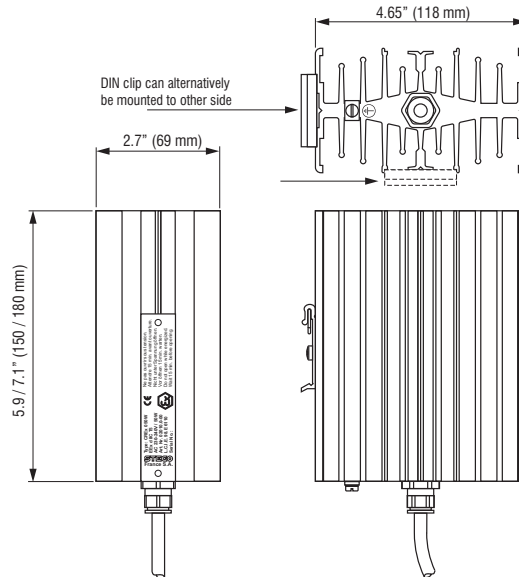
**DIN rail mountable**

The CREx 020 convection heaters are used in areas with explosion hazard to maintain minimum operating temperatures to help prevent failure of electronic components caused by condensation and corrosion.



### Technical Data

<b>Explosion protection according to EN</b>	LCIE (Laboratoire Central des Industries Electriques)
<b>Conformity certificate</b>	01 ATEX 6073/03, LCIE N°06 ATEX Q8011, IECEx LCI 07. 0021
<b>Heating element</b>	high performance cartridge
<b>Heater body</b>	aluminum profile, black anodized
<b>Connection</b>	Si HF - JZ 3 x AWG 18 (0.75mm <sup>2</sup> ), length 3.3 ft (1m)
<b>Connection PE</b>	4mm <sup>2</sup>
<b>Mounting</b>	clip for 35mm DIN rail, EN 60 715
<b>Mounting position</b>	vertical
<b>Operating / Storage temperature</b>	-49 to +158°F (-45 to +70°C)
<b>Protection class</b>	I (grounded)
<b>Protection type</b>	IP65



Part No.	Operating voltage	Heating capacity	Ex protection type	Surface temperature	Length (L)	Weight (approx.)
02010.0-00	230-240VAC	50W	II 2 G D - EEx d IIC T5 IP6x T100°C	212°F (100°C)	5.9" (150mm)	2.9 lbs. (1.3kg)
02010.0-01	110-120VAC	50W	II 2 G D - EEx d IIC T5 IP6x T100°C	212°F (100°C)	5.9" (150mm)	2.9 lbs. (1.3kg)
02011.0-00	230-240VAC	100W	II 2 G D - EEx d IIC T4 IP6x T135°C	275°F (135°C)	7.1" (180mm)	3.3 lbs. (1.5kg)
02011.0-01	110-120VAC	100W	II 2 G D - EEx d IIC T4 IP6x T135°C	275°F (135°C)	7.1" (180mm)	3.3 lbs. (1.5kg)

Specifications are subject to change without notice. Suitability of this product for its intended use and any associated risks must be determined by the end customer/ buyer in its final application.